



2244 Airport Way, Redmond, Oregon 97756 Phone 541 923-2233 Fax 541 923-2255

SERVICE BULLETIN

SB059-0801

Subject: Legacy Rudder Trim Tab Reinforcement
Date: 23rd of August, 2001
Ref: Construction Manual, Attached pages
Pages: 1 (2 sides)
Status: Mandatory Compliance

Background:

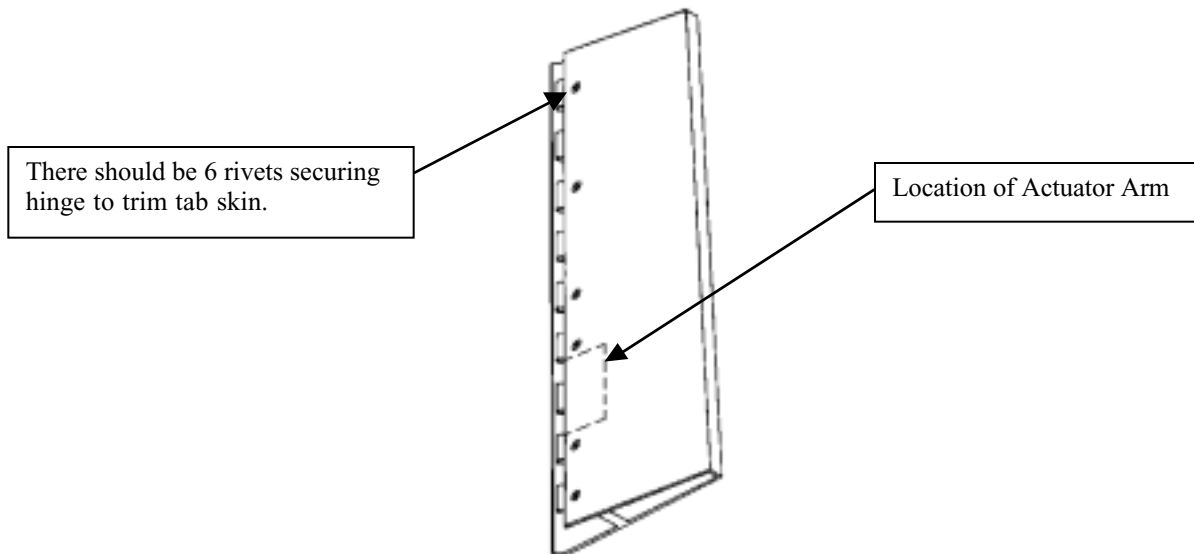
The Legacy rudder trim tab secures to a hinge with structural pop rivets (refer to figures below). Legacy kits with serial numbers 104 through 138 are lacking two of these rivets. There should be a total of 6 rivets securing the trim tab

Action:

Inspect your rudder trim tab and count the number of rivets securing the skin to the hinge. If there are only a total of 4 rivets (not counting the two rivets securing the actuator arm to the hinge) you must comply with the service bulletin.

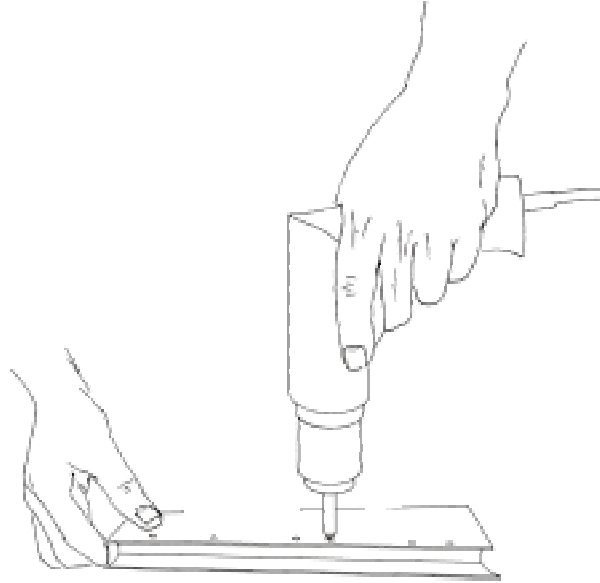
Legacy Rudder Trim Tab Reinforcement

Fig.1

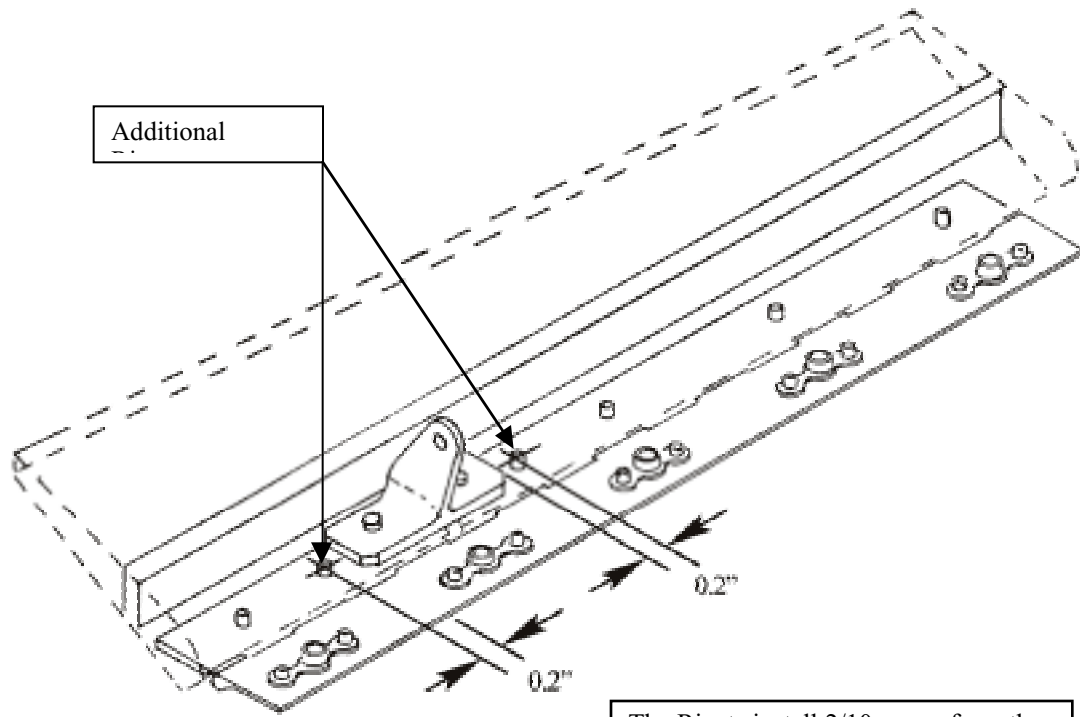


Legacy Rudder Trim Tab Reinforcement Installation Fig.2

1. Mark rivet locations and drill from the outside with a #40 drill bit



2. Countersink and install MSC-32 pop rivets



The Rivets install 2/10 away from the actuator arm on each side.